



APPLICATION

Explosion proof junction box type JBX 01 is empty Ex d enclosure (component) in which are installed industry-standard performance equipment (low voltage switching devices, electrical appliances).

The junction box is intended for use in places with an explosive gas and dust atmosphere. The junction box is designed for use in the industrial areas and facilities, indoor and outdoor spaces.

CONSTRUCTION

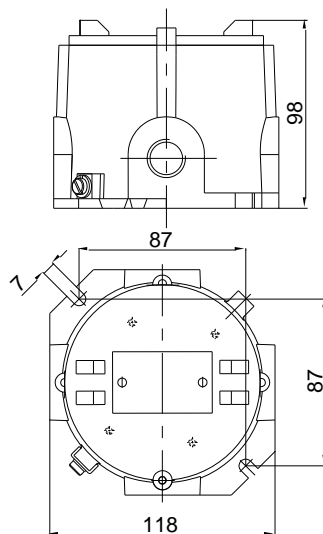
Enclosure: corrosion resistant grey polyurethanes painted aluminium color RAL 7000
Gasket: Silicon

TECHNICAL DATA

Certificate:	EXA 13 ATEX 0003U
Marking:	CE 0722
Apparatus category:	II 2G II 2D
Marking of explosion protection:	Ex d IIC Gb Ex tb IIIC Db
Ambient temperature:	-20°C ≤ Ta ≤ +60°C
Service temperature:	-20°C ≤ Ta ≤ +80°C
Degree of protection:	IP 66 category 1
Protection class :	I (protective earthing)
External earthing terminal:	max. 2 x 6 mm ²
Color:	Gray, RAL 7001
Weight:	1,0 kg

DIMENSION

MODEL CODE



TYPE	No. of entries/side	Entries
JBX 01/11	2 / B-D	M20x1,5 - ISO 261
JBX 01/12	3 / B-C-D	
JBX 01/13	4 / A-B-C-D	
JBX 01/31	2 / B-D	3/4" - NPT - ANSI ASME B1.20.1
JBX 01/32	3 / B-C-D	
JBX 01/33	4 / A-B-C-D	
JBX 01/41	2 / B-D	1/2" - NPT - ANSI ASME B1.20.1
JBX 01/42	3 / B-C-D	
JBX 01/43	4 / A-B-C-D	



EXA 13 ATEX 0003U



0722

IP
66

-20°C

+60°C

